

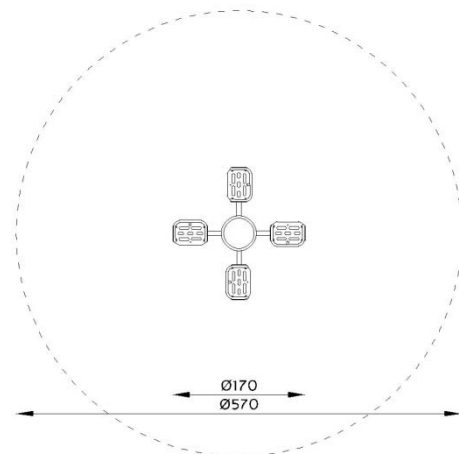


TECHNICAL DATA:

Easily accessible device,
according to standard EN 1176-1:2017

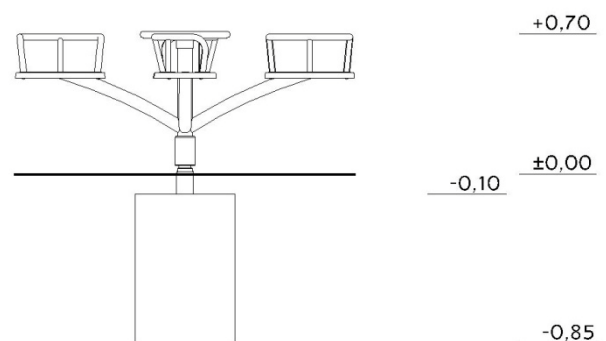
Top view with falling area

| | |
|-----------------------|----------------------|
| Device dimensions: | Ø 1,70 m |
| Device height: | 0,70 m |
| Minimum space: | Ø 5,70 m |
| Falling area: | 25,52 m ² |
| Critical fall height: | 0,70 m |
| Foundations depth: | -0,85m |



The device according to EN 1176-1:2017
Playground equipment and surfacing – Part 1:
General safety requirements and test methods

Safety surfaces:
- turf/topsoil, sand, gravel, bark, synthetic surface
- minimal thickness for loose particulate materials 200+100mm
- synthetic surface according to critical fall height



MATERIALS:

| | |
|-----------------------|--|
| Supporting structure: | galvanized steel, powder coated in grey, with a rotary mechanism |
| Seat construction: | galvanized steel, powder coated in red |
| Seats: | steel construction coated with rubber and polyethylene plates attached to the tube |
| Caps: | plastic |
| Foundations: | concrete min. C12/15 standard |



SATERNUS DISTRIBUTION Sp. z o.o. sp.k.
ul. Nowa 32
41-500 Chorzów, Poland

Certificate beholder:
Producer:
Distributor:

GRUPA SATERNUS Sp. z o.o. S. K. A. reserves all rights to protect copyright under the Act of February 4, 1994 on Copyright and Related Rights (Journal of Laws No. 28, item 83), and in particular Art. 78 and 79 of this Law.

GRUPA SATERNUS Sp. z o.o. S. K. A.
Saternus Production Sp. z o.o. sp. k.
Saternus Distribution Sp. z o.o. sp. k.