

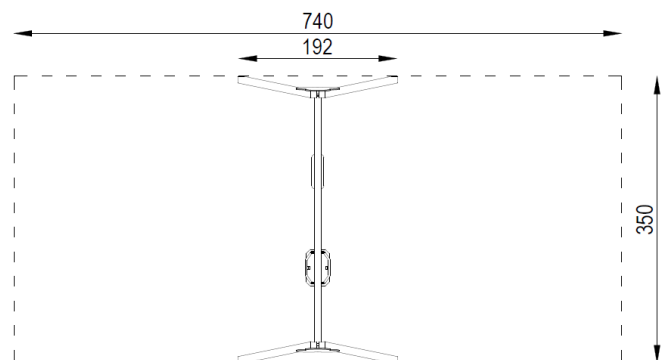


TECHNICAL DATA:

Easily accessible device,
according to standard EN 1176-1 : 2017

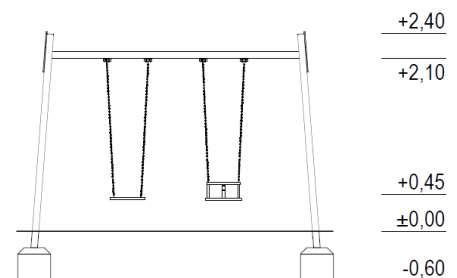
Device dimensions: 3,50 x 1,92m
 Device height: 2,40m
 Minimum space: 3,50 x 7,40m
 Falling area: 25,90m²
 Critical fall height: 1,25m
 Foundations depth: -0,60m

Top view with falling area



The device according to EN 1176-1 : 2017
 Playground equipment and surfacing – Part 1:
 General safety requirements and test methods.

Safety surfaces:
 - sand, gravel, bark, synthetic surface
 - minimal thickness for loose particulate materials 200+100mm
 - synthetic surface according to critical fall height



COMPONENTS:

| | |
|-----------------|-------|
| Steel structure | 1 set |
| Slat seat | 1 pc |
| Basket seat | 1 pc |

MATERIALS:

| | |
|---------------------------|---|
| Construction poles: | glued laminated pine timber, rounded at the edges, varnish painted dark brown |
| Anchors: | galvanized steel |
| Steel elements: | galvanized steel, powder coated |
| Flat decorative elements: | HDPE sheets |
| Seats: | rubber covered metal structure |
| Chain: | stainless steel, calibrated |
| Caps: | plastic |
| Foundations: | concrete min. C12/15 standard |



SATERNUS DISTRIBUTION Sp. z o.o. sp.k.
ul. Nowa 32
41-500 Chorzów, Poland

Certificate beholder:
Producer:
Distributor:

GRUPA SATERNUS Sp. z o.o. S. K. A. reserves all rights to protect copyright under the Act of February 4, 1994 on Copyright and Related Rights (Journal of Laws No. 28, item 83), and in particular Art. 78 and 79 of this Law.

GRUPA SATERNUS Sp. z o.o. S. K. A.
Saternus Production Sp. z o.o. sp. k.
Saternus Distribution Sp. z o.o. sp. k.